

# EPC-DMX

## Emergency Power Control For DMX Controlled Loads

Project:

Model No.:

Comments:



## MOUNTING

## APPLICATION

In the past, emergency lights were kept on 24 hours a day to meet life safety codes. Now, you can use a UL 924 listed [Emergency Power Control, Model EPC-DMX](#), to convert normal light fixtures into approved emergency lights. The [EPC-DMX](#) saves energy and money while ensuring compliance with both life safety and energy codes.

During normal operation, emergency fixtures can be controlled by a DMX lighting control system.

During a utility power interruption, the [EPC-DMX](#) automatically bypasses the normal lighting controls, turning the emergency lights to a preset scene, regardless of previous settings.

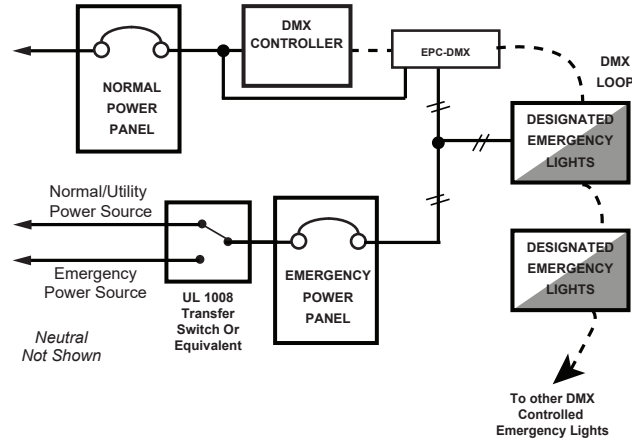
The [EPC-DMX](#) is can be mounted in a panel or junction box.

## FEATURES

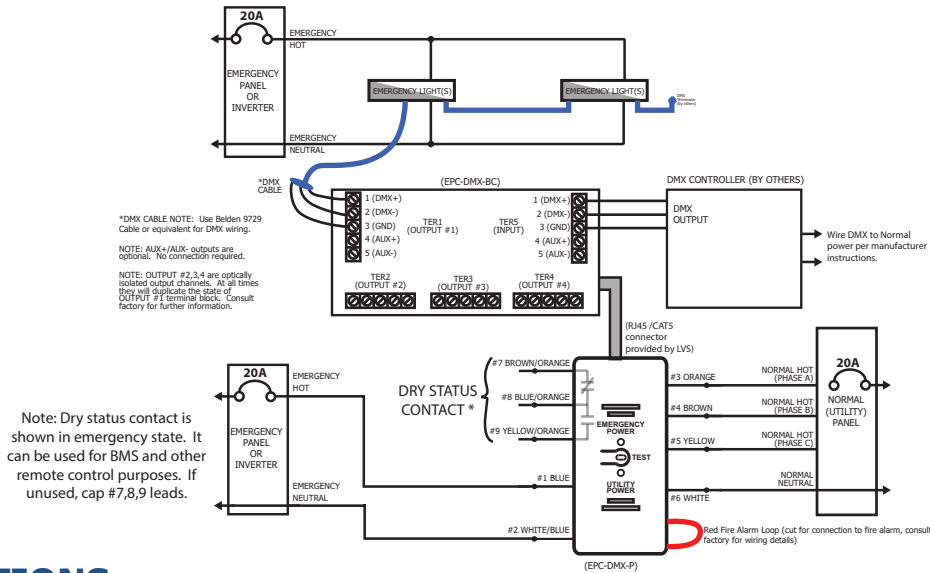
- Two-part construction for safe installation: Line voltage sensing is isoalted from low voltage DMX control component.
- Automatic Diagnostics  
Field-selectable test options including integral manual test, remote test, and automatic monthly testing.
- Fire Alarm override input
- Utility & Emergency Power Indicator LED's
- Memorize & Recall feature  
Set the desired emergency scene and it will be recalled automatically during a power interruption
- 3 Phase Sensing  
Monitor 3 separate circuits for power loss conditions with a single unit
- Integral Opto-splitter  
Includes 2 opto-splitters
- Small size permits mounting in standard electrical junction boxes and panels



# SINGLE LINE DRAWING



# WIRING DIAGRAM



EPC-DMX-BC and EPC-DMX-P are included with ordering catalog # "EPC-DMX"

# SPECIFICATIONS

<b>ELECTRICAL</b>	MODEL NO.	EPC-DMX	<b>MECHANICAL</b>	MOUNTING	Junction Box Mount, Panel Mount (DIN)
	SENSING INPUT	120V - 277V (3phase)		RATING	UL94-5VA
				SHIPPING WEIGHT / COLOR	12 oz. / Black (pt1) 12oz./White (pt2)
				TEMPERATURE	32°F - 140°F (0°C - 60°C)
	WARRANTY	5 Year Replacement Warranty		BODY SIZE	

# ORDERING INFORMATION

## EPC-DMX

# ADDITIONAL RESOURCES

- Installation Sheet
  - FAQ Sheet
  - Alternative Wiring Sheet
  - Terms & Conditions/Warranty Information
  - Fire Alarm Tie-In/Override
- [www.lvscontrols.com/assets/UL924FAI.pdf](http://www.lvscontrols.com/assets/UL924FAI.pdf)

LVS, Inc. 2555 Nicholson Street, San Leandro, CA 94577-4216

Phone: 510-352-9600 1-800-982-4587 Fax: 510-352-6707

[www.lvscontrols.com](http://www.lvscontrols.com)